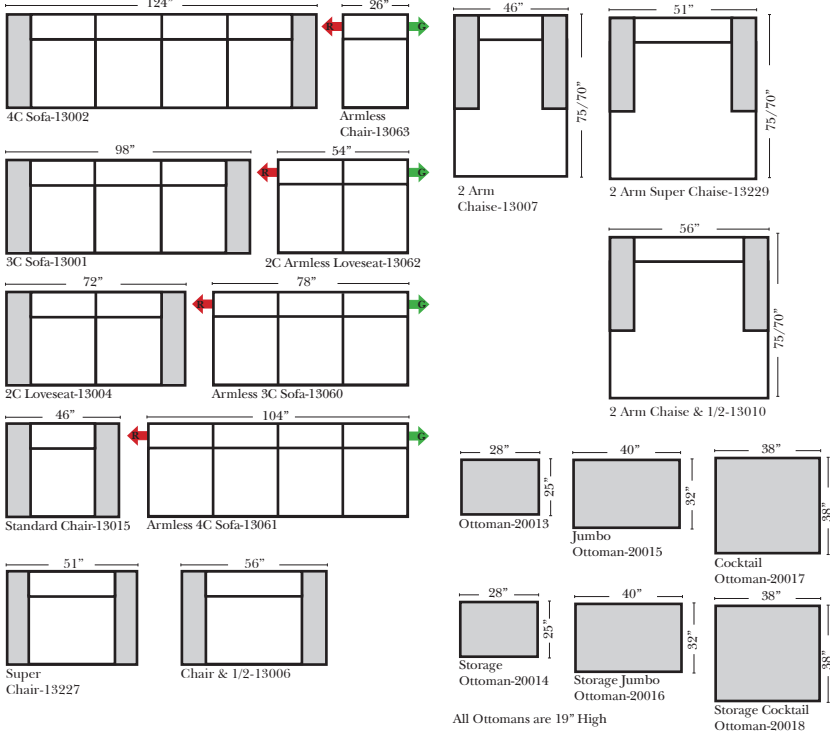
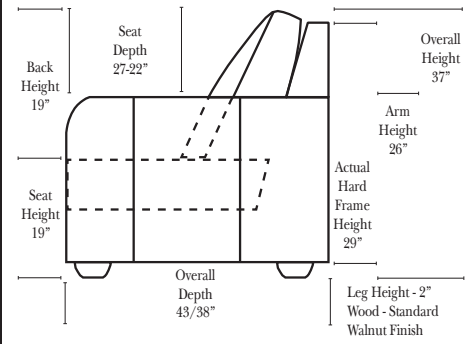
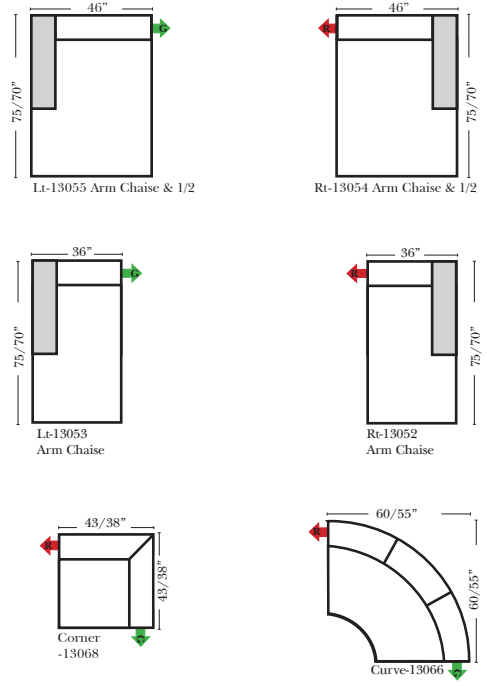


**Standard / Ottomans / Armless**

Put Green Arrows with Red Arrows to Create Sectional Groups



**Additional Sectional Items**



**Standard & options**

**Standard:**

- Available in Full & Top Grain Leathers
- Available in Luxury Fabrics
- All Hardwood Frames
- Wood Leg Finish (Standard is Walnut)

**Options: (No Additional Charge)**

- No. 33 Firm Foam Cushions
- Wood Leg Finish (Available in Cherry, Chocolate, Espresso, Honey Oak, & Shadow)

**Options: (additional Charge)**

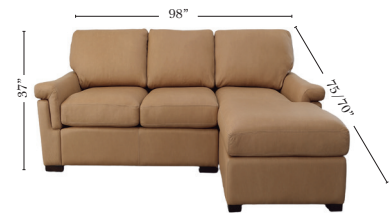
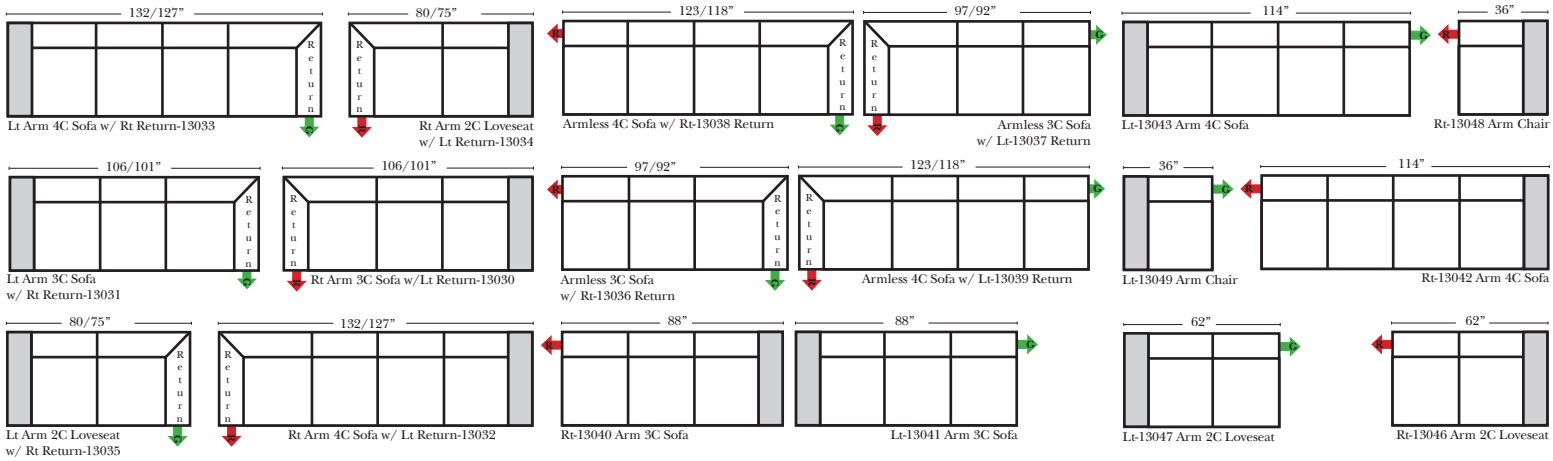
- Down Seats & Down Backs
- Upholstered Swivel Base (2 arm Chair Only) (Not available on Super Chair or Chair & 1/2)

**Sleeper Options: (N/A on this Style)**

**L-Shape / 90 Degree Sectional**

(All 4 seat items ship as one piece if stationary, two pieces if motion installed)

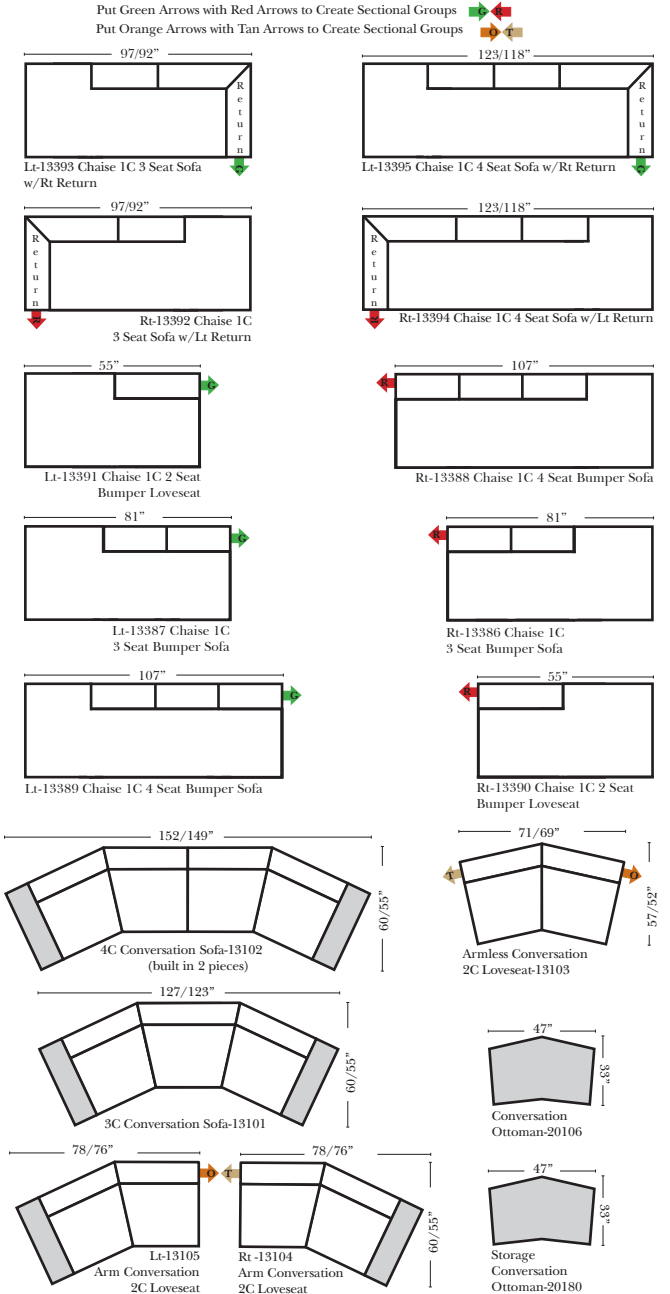
Put Green Arrows with Red Arrows to Create Sectional Groups



**Note:**

All Dimensions are approximate, if accuracy is crucial, please contact us for validation of the dimensions shown. However, a 1" to 2" variance can still apply due to foam and upholstery.

**Bumper / Return Chaise & Conversation Sofas**



**Sleepers**

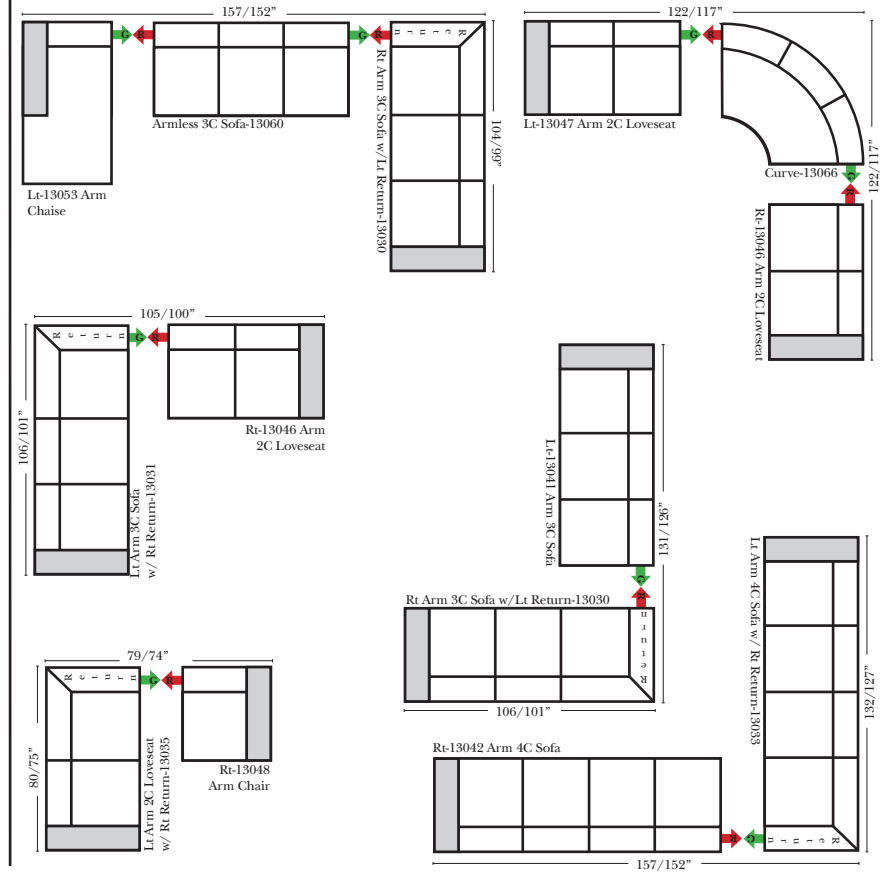
Put Green Arrows with Red Arrows to Create Sectional Groups  
Put Blue Arrows with Yellow Arrows to Create Sectional Groups

Sleepers not available for this style

**Suggested Configurations**

v.04.18.23

The Suggested Configurations below are only a sample of what the imagination can create, please enjoy creating the configuration that fits your lifestyle, using the ideas below and from the items on the opposite page.



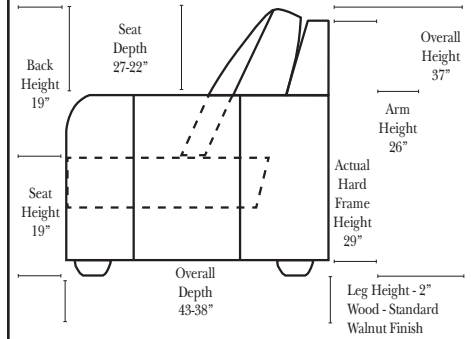
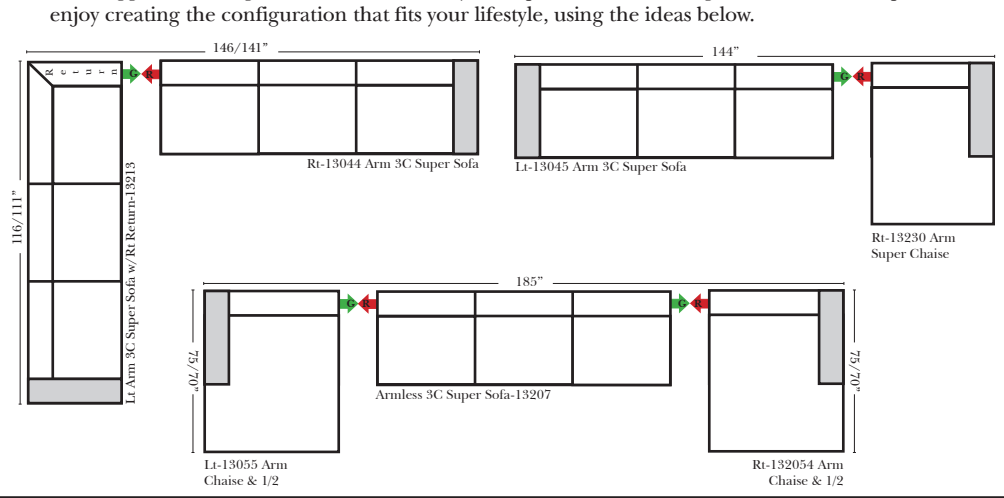
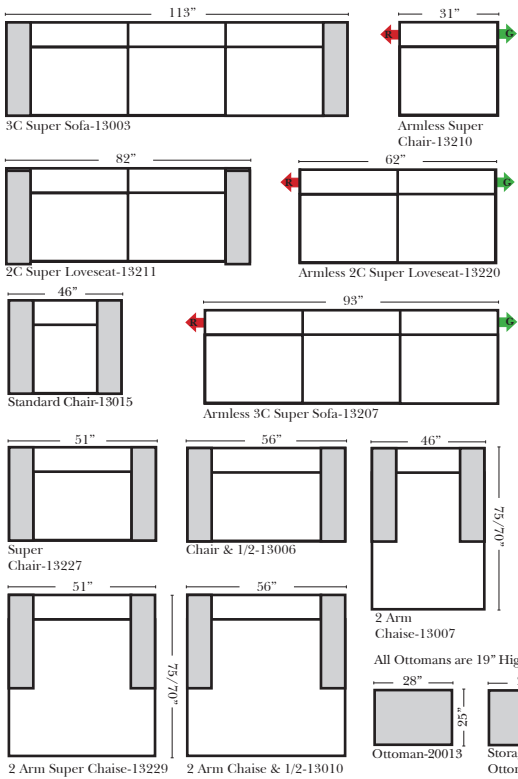
**Sleepers (Cont.)**

**Standard / Ottomans / Armless**

**Suggested Configurations**

Put Green Arrows with Red Arrows to Create Sectional Groups

The Suggested Configurations below are only a sample of what the imagination can create, please enjoy creating the configuration that fits your lifestyle, using the ideas below.



**Standard & options**

**Standard:**

- Available in Full & Top Grain Leathers
- Available in Luxury Fabrics
- All Hardwood Frames
- Wood Leg Finish (Standard is Walnut)

**Options: (No Additional Charge)**

- No. 33 Firm Foam Cushions
- Wood Leg Finish (Available in Cherry, Chocolate, Espresso, Honey Oak, & Shadow)

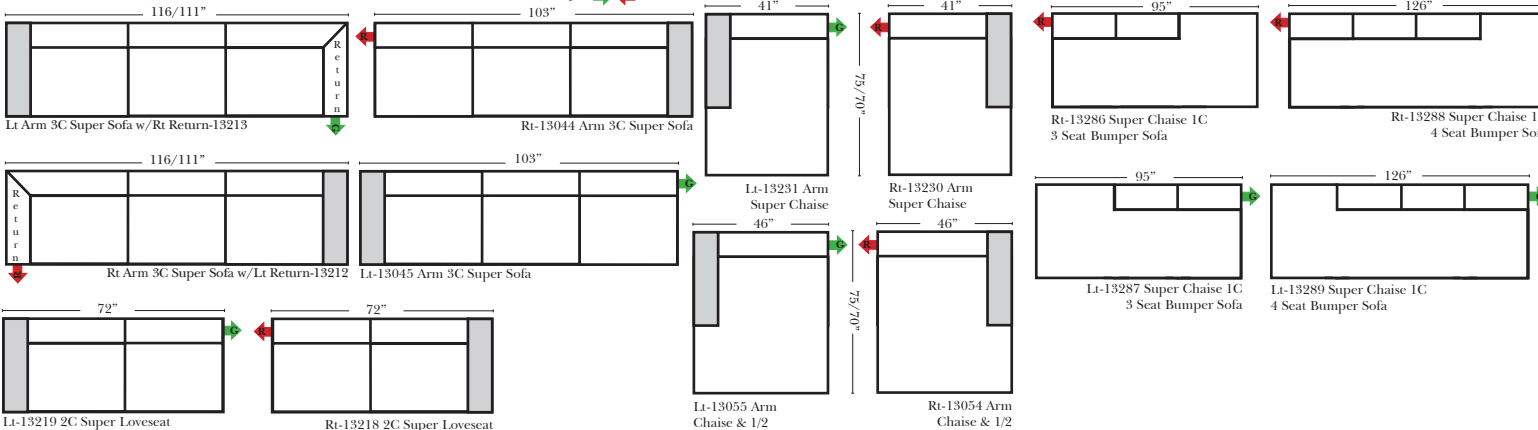
**Options: (additional Charge)**

- Down Seats & Down Backs
- Upholstered Swivel Base (2 arm Chair Only) (Not available on Super Chair or Chair & 1/2)

**Sleeper Options: (N/A on this Style)**

**L-Shape / 90 Degree Sectional**

Put Green Arrows with Red Arrows to Create Sectional Groups



**Note:**

All Dimensions are approximate, if accuracy is crucial, please contact us for validation of the dimensions shown. However, a 1" to 2" variance can still apply due to foam and upholstery.